



LEFROY BROOKS

IBROC HOUSE ESSEX ROAD
HODDESDON HERTS EN11 0QS UK
T: +44 (0)1992 708 316 F: +44 (0)1992 708 317

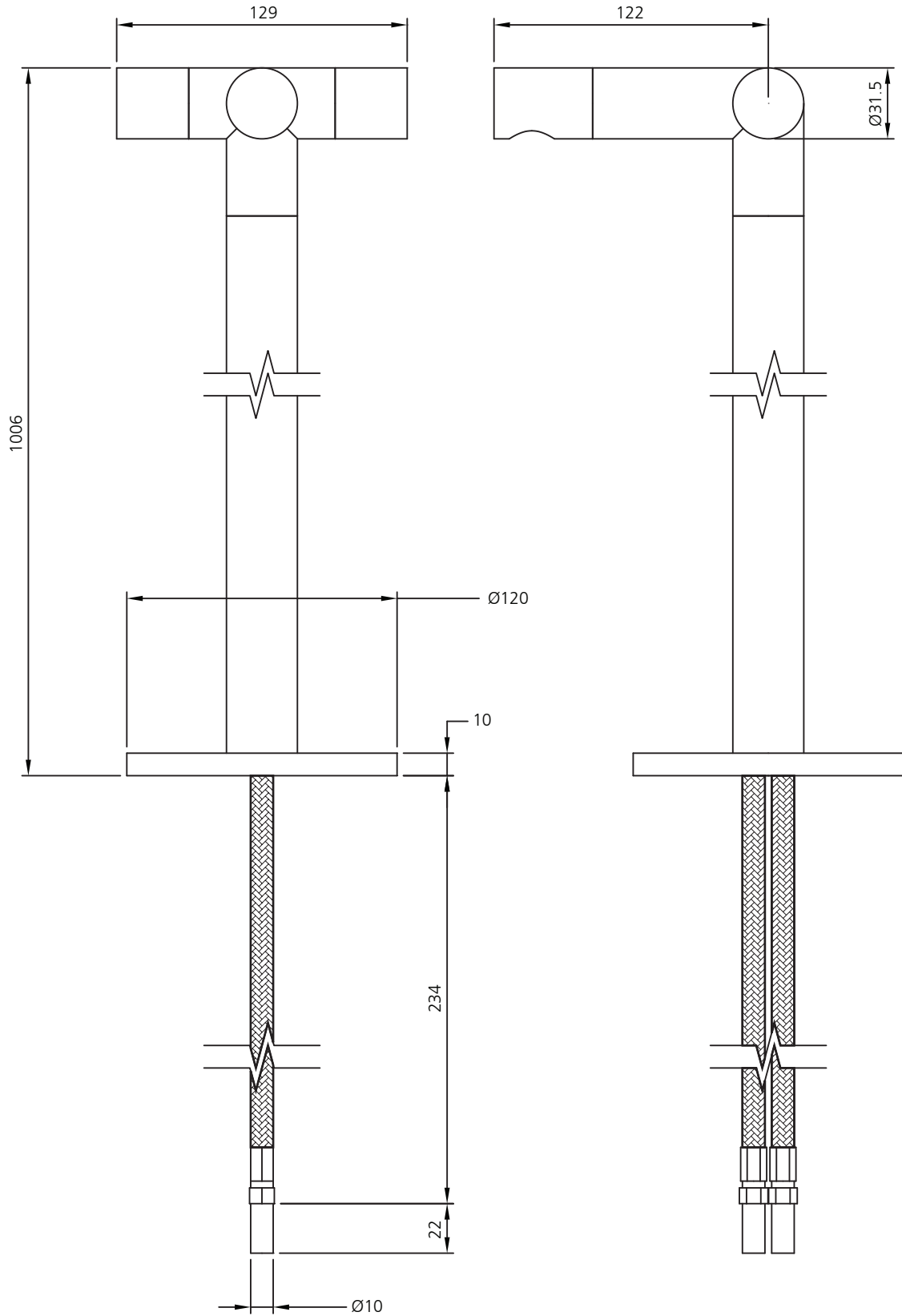
XO-3010

JO MONO - FLOOR MOUNTED

DIMENSIONAL DATA SHEET

DATE: 18 August 2010

NUMBER: 30 069 3010 B



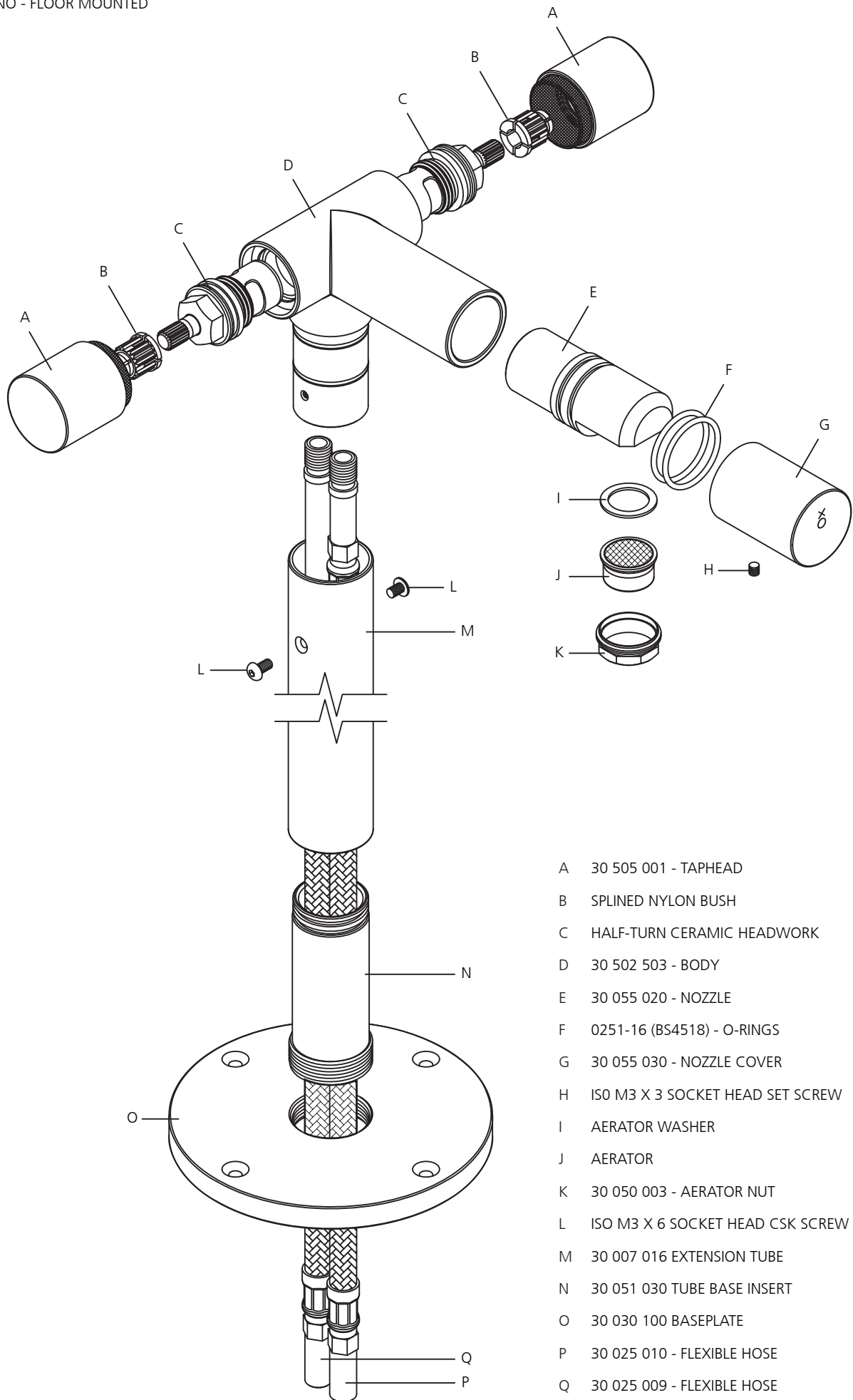
©COPYRIGHT 2001-2010. CHRISTO LEFROY BROOKS. ALL RIGHTS RESERVED.

DIMENSIONS IN MILLIMETRES

WHILST EVERY EFFORT IS MADE TO ENSURE THE ACCURACY OF THESE DATA SHEETS THEY ARE SUBJECT TO CHANGE WITHOUT NOTICE AS PART OF THE COMPANY'S PRODUCT DEVELOPMENT PROCESS

XO-3010

JO MONO - FLOOR MOUNTED



- A 30 505 001 - TAPHEAD
- B SPLINED NYLON BUSH
- C HALF-TURN CERAMIC HEADWORK
- D 30 502 503 - BODY
- E 30 055 020 - NOZZLE
- F 0251-16 (BS4518) - O-RINGS
- G 30 055 030 - NOZZLE COVER
- H ISO M3 X 3 SOCKET HEAD SET SCREW
- I AERATOR WASHER
- J AERATOR
- K 30 050 003 - AERATOR NUT
- L ISO M3 X 6 SOCKET HEAD CSK SCREW
- M 30 007 016 EXTENSION TUBE
- N 30 051 030 TUBE BASE INSERT
- O 30 030 100 BASEPLATE
- P 30 025 010 - FLEXIBLE HOSE
- Q 30 025 009 - FLEXIBLE HOSE

©COPYRIGHT 2001-2010. CHRISTO LEFROY BROOKS. ALL RIGHTS RESERVED.